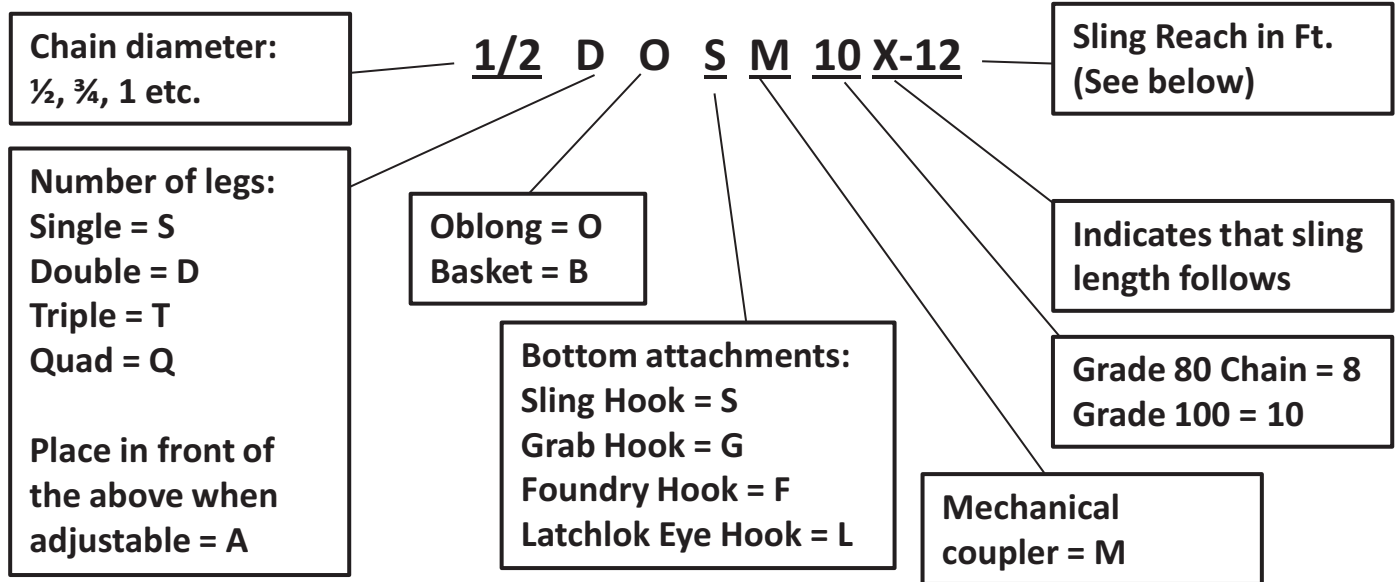


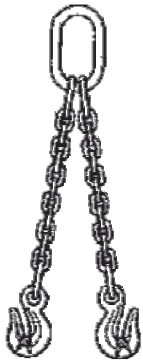
# ORDERING CHAIN SLINGS

**TO ORDER CHAIN SLINGS, CREATE CHAIN SPECIFICATION BY CREATING THE FOLLOWING SPECIFICATION NUMBER:**



# CHAIN SLING CONFIGURATION EXAMPLES

**DOG:**  
 Double leg with masterlink and grab hook



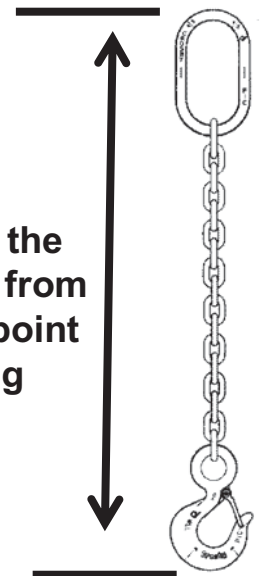
**TOS:**  
 Triple leg with masterlink and sling hook



**ADOS:**  
 Double leg with masterlink, sling hooks and adjuster hooks



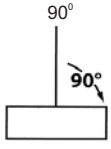
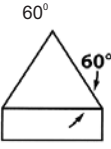
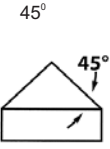
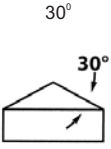


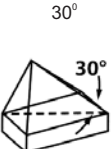
**Reach is the distance from bearing point to bearing point**



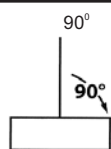
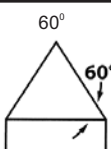
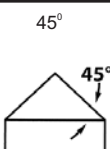
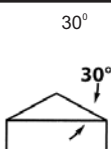
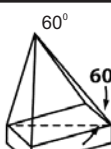
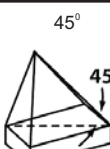
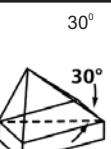
The information contained in this document was obtained from resources believed to be reliable at the time of publication. You assume the entire risk as to the use of this information and Industrial Splicing and Sling assumes no liability in connection with the information presented or the use of suggestions in this publication. Refer to the full OSHA and ASME Standards addressing the topics discussed.

## CHAIN SLING CAPACITIES

### THE RATED CAPACITIES FOR GRADE 80 ALLOY CHAIN:

Grade 80 Alloy Chain Size								
		Single Leg	Double Leg			Triple and Quad Leg		
(in.)	(mm)							
1/4 (9/32)	7	3500	6100	4900	3500	9100	7400	5200
5/16	8	4500	7800	6400	4500	11700	9500	6800
3/8	10	7100	12300	10000	7100	18400	15100	10600
1/2	13	12000	20800	17000	12000	31200	25500	18000
5/8	16	18100	31300	25600	18100	47000	38400	27100
3/4	20	28300	49000	40000	28300	73500	60000	42400
7/8	22	34200	59200	48400	34200	88900	72500	51300
1	26	47700	82600	67400	47700	123900	101200	71500
1 1/4	32	72300	125200	102200	72300	187800	153400	108400

### THE RATED CAPACITIES FOR GRADE 100 ALLOY CHAIN:

Grade 100 Alloy Chain Size								
		Single Leg	Double Leg			Triple and Quad Leg		
(in.)	(mm)							
1/4 (9/32)	7	4300	7400	6100	4300	11200	9100	6400
5/16	8	5700	9900	8100	5700	14800	12100	8500
3/8	10	8800	15200	12400	8800	22900	18700	13200
1/2	13	15000	26000	21200	15000	39000	31800	22500
5/8	16	22600	39100	32000	22600	58700	47900	33900
3/4	20	35300	61100	49900	35300	91700	74900	53000
7/8	22	42700	74000	60400	42700	110900	90600	64000
1	26	59600	103200	84200	59600	154800	126400	89300

## SAMPLE CHAIN SLING SPECIFICATIONS - MECHANICAL

**1/2 DOG M 80 X 10:**

**IS A 1/2" CHAIN WITH TWO LEGS, MASTERLINK, GRAB HOOKS, GRADE 80 CHAIN AND 10 FT REACH**

**3/4 TOS M 100 X 20:**

**IS A 3/4" CHAIN WITH THREE LEGS, MASTERLINK, SLING HOOKS, GRADE 100 CHAIN AND 20 FT REACH**

**5/8 ATOS M 100 X 15 :**

**IS A 5/8" CHAIN WITH THREE LEGS, MASTERLINK, SLING HOOKS AND ADJUSTER HOOKS, GRADE 100 CHAIN AND 15 FT REACH**

**1 SOS M 80 X 8:**

**IS A 1" CHAIN WITH SINGLE LEG, MASTERLINK, SLING HOOK, GRADE 80 CHAIN AND 8 FT REACH**

The information contained in this document was obtained from resources believed to be reliable at the time of publication. You assume the entire risk as to the use of this information and Industrial Splicing and Sling assumes no liability in connection with the information presented or the use of suggestions in this publication. Refer to the full OSHA and ASME Standards addressing the topics discussed.