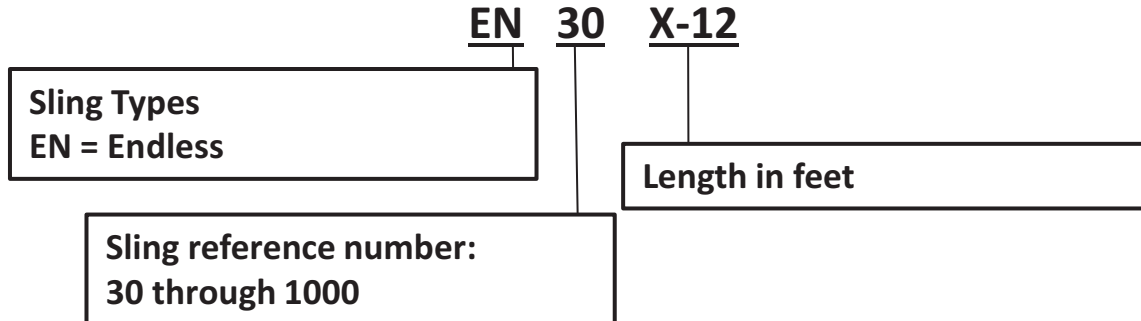


ORDERING SYNTHETIC ROUNDSLINGS

TO ORDER SYNTHETIC ROUNDSLINGS YOU MUST SPECIFY:







STANDARD ROUNDSLING CONFIGURATIONS

Part No.	Color	Rated Capacity (lbs.)*				Minimum Length (ft.)
		Vertical 	Choker 	Basket @90° 	Basket @45° 	
EN30	Purple					1 ½
EN60	Green					1 ½
EN90	Yellow					3
EN120	Tan					3
EN150	Red					3
EN180	White					3
EN240	Blue					3
EN360	Grey					3
EN600	Brown					8
EN800	Olive					8
EN1000	Black					8

The information contained in this document was obtained from resources believed to be reliable at the time of publication. You assume the entire risk as to the use of this information and Industrial Splicing and Sling assumes no liability in connection with the information presented or the use of suggestions in this publication. Refer to the full OSHA and ASME Standards addressing the topics discussed.

ROUNDSLING CAPACITIES

Capacities in lbs.

Part No.	Color	Vertical	Choker	Basket @ 90°	Basket @ 45°	Weight (lbs. / ft.)	Body Dia. Relaxed (in.)	Width at Load (in.)
								
EN30	Purple	2,600	2,100	5,200	3,600	.2	5/8	1
EN60	Green	5,300	4,200	10,600	7,400	.3	7/8	1 3/8
EN90	Yellow	8,400	6,700	16,800	11,800	.5	1 1/8	1 3/4
EN120	Tan	10,600	8,500	21,200	14,000	.6	1 1/8	1 7/8
EN150	Red	13,200	10,600	26,400	18,000	.8	1 3/8	2
EN180	White	16,800	13,400	33,600	23,000	.9	1 3/8	2 1/8
EN240	Blue	21,200	17,000	42,400	29,000	1.3	1 3/4	2 5/8
EN360	Grey	31,000	24,800	62,000	43,000	1.7	2 1/4	3 1/4
EN600	Brown	53,000	42,400	106,000	74,000	2.8	2 3/4	4
EN800	Olive	66,000	52,800	132,000	93,000	3.4	3 1/8	4 5/8
EN1000	Black	90,000	72,000	180,000	127,000	4.3	3 5/8	5 1/4

SAMPLE ROUNDSLING SPECIFICATIONS

EN30 x 8:

Is a roundsling, purple color, 2,600 lbs. vertical, 5/8" relaxed body width, 8' long

EN60 x 12:

Is a roundsling, green color, 5,300 lbs. vertical, 7/8" relaxed body width, 12' long

EN120 x 18:

Is a roundsling, tan color, 10,600 lbs. vertical, 1-1/8" relaxed body width, 18' long

The information contained in this document was obtained from resources believed to be reliable at the time of publication. You assume the entire risk as to the use of this information and Industrial Splicing and Sling assumes no liability in connection with the information presented or the use of suggestions in this publication. Refer to the full OSHA and ASME Standards addressing the topics discussed.